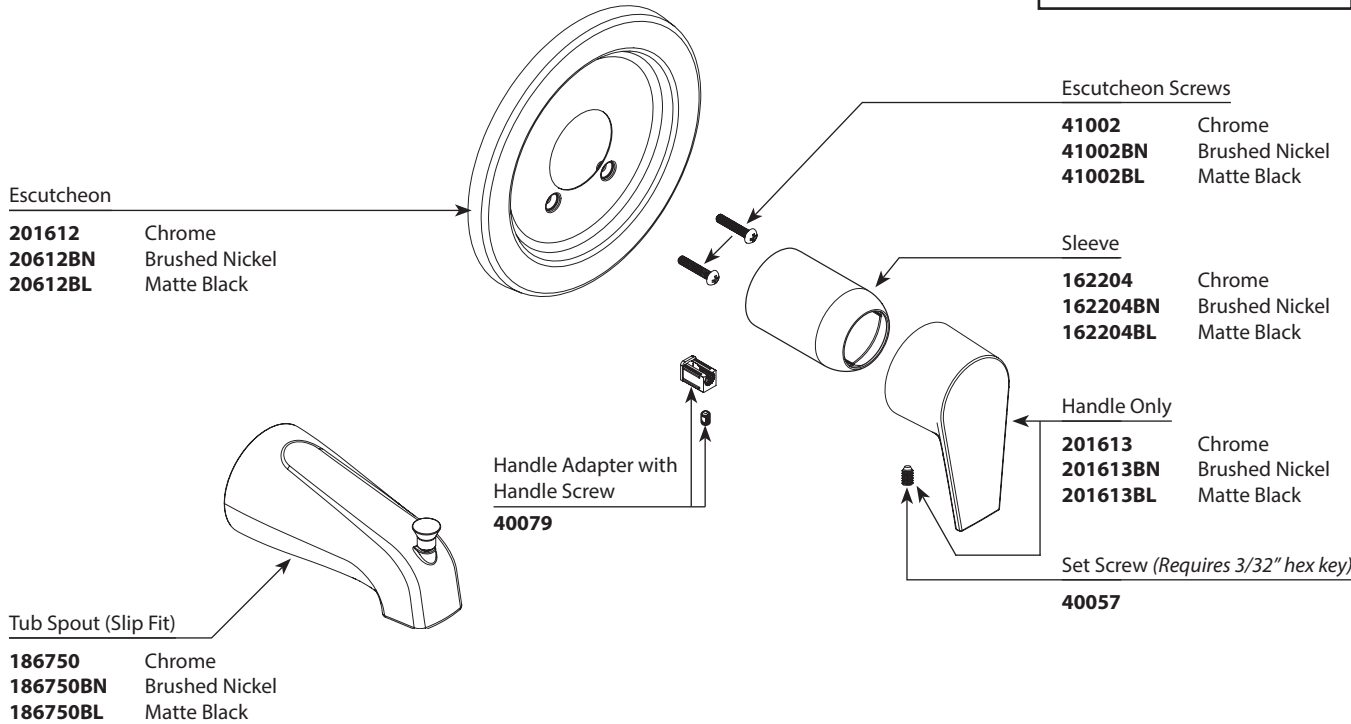
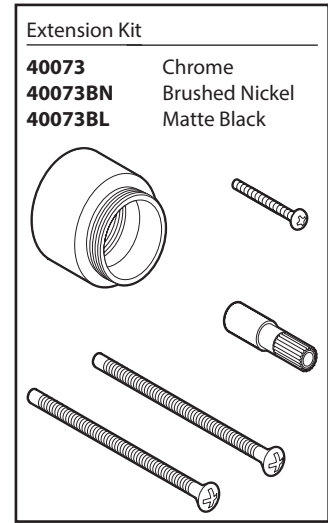
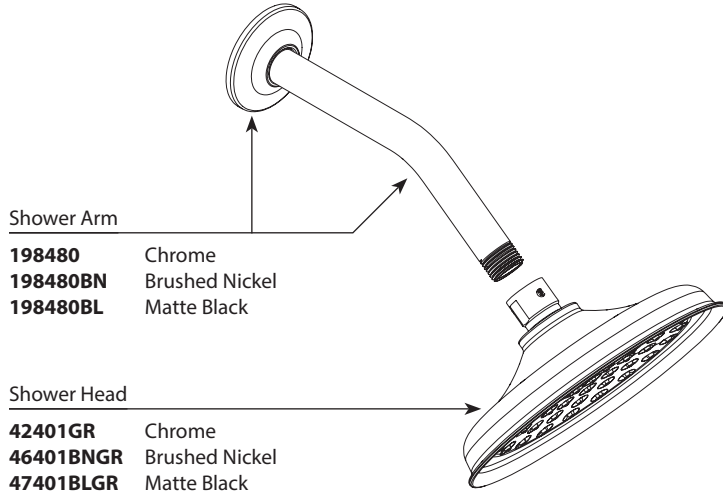


CFG

■ Order by Part Number

SLATE™			
SHOWER TRIM ONLY		TUB/SHOWER TRIM	
MODEL	FINISH	MODEL	FINISH
48002CGR	Chrome	48003CGR	Chrome
48002BNGR	Brushed Nickel	48003BNGR	Brushed Nickel
48002BLGR	Matte Black	48003BLGR	Matte Black
48002NHBHGR	Brushed Nickel	48003NHBHGR	Brushed Nickel
48002NHBLGR	Matte Black	48003NHBLGR	Matte Black



186750 25300 AL MOEN DRIVE
 NORTH OLMSTED, OHIO 44070